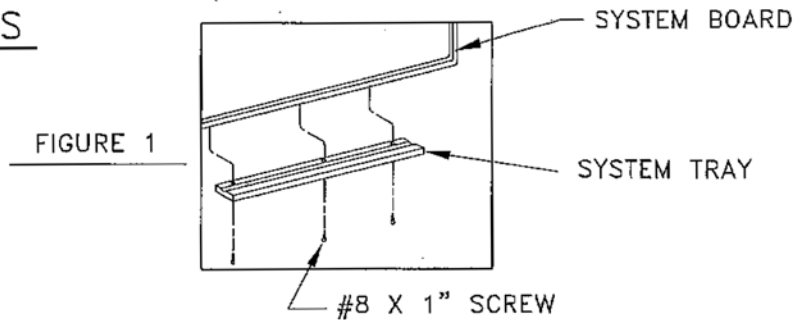


TO ACHIEVE MAXIMUM EFFECTIVENESS FROM YOUR SYSTEM BOARD IT IS IMPORTANT THAT YOU MOUNT THIS UNIT CORRECTLY. INCLUDED WITH EACH SYSTEM BOARD IS THE FOLLOWING MOUNTING HARDWARE:  
TWO (2) MOUNTING BRACKETS. ONE (1) SYSTEM TRAY  
AND THE REQUIRED WOOD SCREWS.

TOOLS REQUIRED: \* 3/32" DRILL BIT \* TAPE MEASURE \* POWER SCREWDRIVER WITH #2 PHILLIPS BIT  
\* FLAT BLADE SCREWDRIVER \* NEEDLE NOSE PLIERS

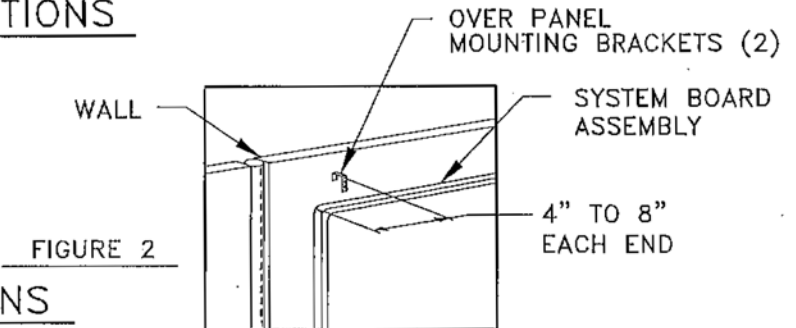
### TRAY MOUNTING INSTRUCTIONS

1. CENTER TRAY ON BOTTOM OF SYSTEM BOARD, MARK HOLE LOCATIONS WITH A SCREW OR OTHER SHARP OBJECT.
2. DRILL PILOT HOLES IN BOTTOM RAIL AT YOUR MARKS USING A 3/32" DRILL BIT.
3. ATTACH TRAY TO SYSTEM BOARD USING SUPPLIED SCREWS. (#8 x 1") (SEE FIGURE 1)



### BRACKET MOUNTING INSTRUCTIONS

1. POSITION SYSTEM BOARD FACE DOWN.
2. LOCATE HANGER BRACKETS 4" TO 8" FROM THE TOP LEFT AND RIGHT ENDS. (SEE FIGURE 2)
3. FASTEN BRACKETS IN PLACE USING SCREWS PROVIDED.



### SYSTEM MOUNTING INSTRUCTIONS

1. PRE-DRILL HOLES FOR #6 SCREWS, 3" DOWN FROM THE TOP AND 4" UP FROM BOTTOM ON CENTER OF 3/4" FRAME SIDE. (SEE FIGURE 3)
2. USING THE SCREWS PROVIDED, FASTEN THE MOUNTING HOOKS INTO THE PRE-DRILLED HOLES IN THE TOP OF YOUR SYSTEM BOARD. THE SPRINGS ARE TO BE ATTACHED TO THE LOWER HOLES. (SEE FIGURE 4)
3. ATTACH TRAY TO SYSTEM BOARD (SEE INSTRUCTIONS ABOVE)
4. INSTALL THE TOP HOOKS INTO SLOTS IN PANELS USE FLAT BLADE SCREWDRIVER TO ADJUST THE ANGLE OF THE HOOK IF NEEDED.
5. PULL SPRINGS DOWN SLIGHTLY AND SECURE IN SLOTS IN PANEL.

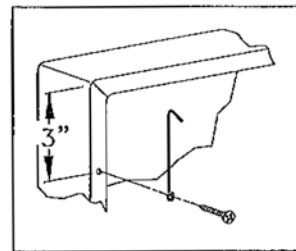


FIGURE 3

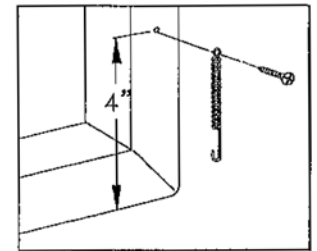


FIGURE 4

