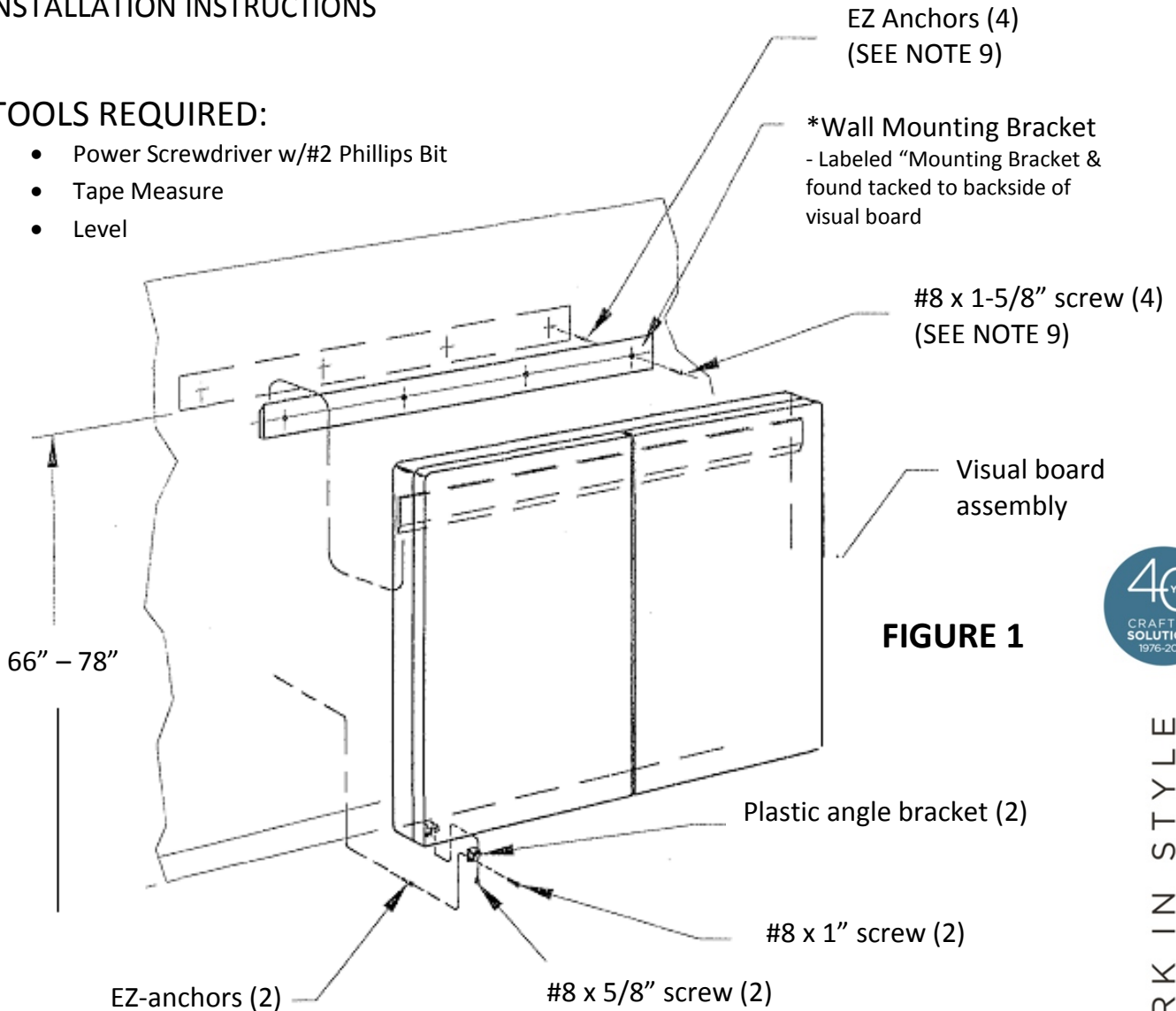


## VISUAL BOARD

### INSTALLATION INSTRUCTIONS

#### TOOLS REQUIRED:

- Power Screwdriver w/#2 Phillips Bit
- Tape Measure
- Level



**FIGURE 1**



WORK IN STYLE

#### INSTRUCTIONS (HARDWARE KIT NO. 00667)

1. On the wall where the unit is to be mounted, draw a level line 66" to 78" up from the floor. This line should be about the same length as the mounting plate (Z-bar).
2. Drill pilot holes in mounting bracket for fastening bracket to wall. Try to align with at least two wall studs, if possible.

(CONTINUED: PAGE 2)

#### \*MANUFACTURERS RECOMMENDATION

To increase the product's stability it is recommended that the product be secured to an existing wall stud with the longest screws provided.



3. Align the bottom edge of the mounting bracket (Z-bar) with the line on the wall. Using pre-drilled holes in mounting plate as a template, mark hole locations on wall.
4. Insert EZ anchors in these locations with a power screwdriver.
5. Attach mounting plate (Z-bar) to wall with supplied screws.
6. Lift visual board assembly above mounting plate and lower into position (see fig. 2)
7. For doors to operate and close properly, visual board cabinet must hang freely - without bow or twist. Shim back of cabinet as needed until doors line up at center.
8. Mark hole locations of plastic angle brackets on wall.
9. Remove visual board from wall momentarily
10. Insert remaining EZ-anchors into marked locations
11. Re-hang visual board on wall. Attach plastic angle brackets to wall anchors using #8 x 1" screws.
12. Attach plastic angle brackets to the bottom of the visual board assembly using (2) #8 x 5/8" screws (see fig. 3).

