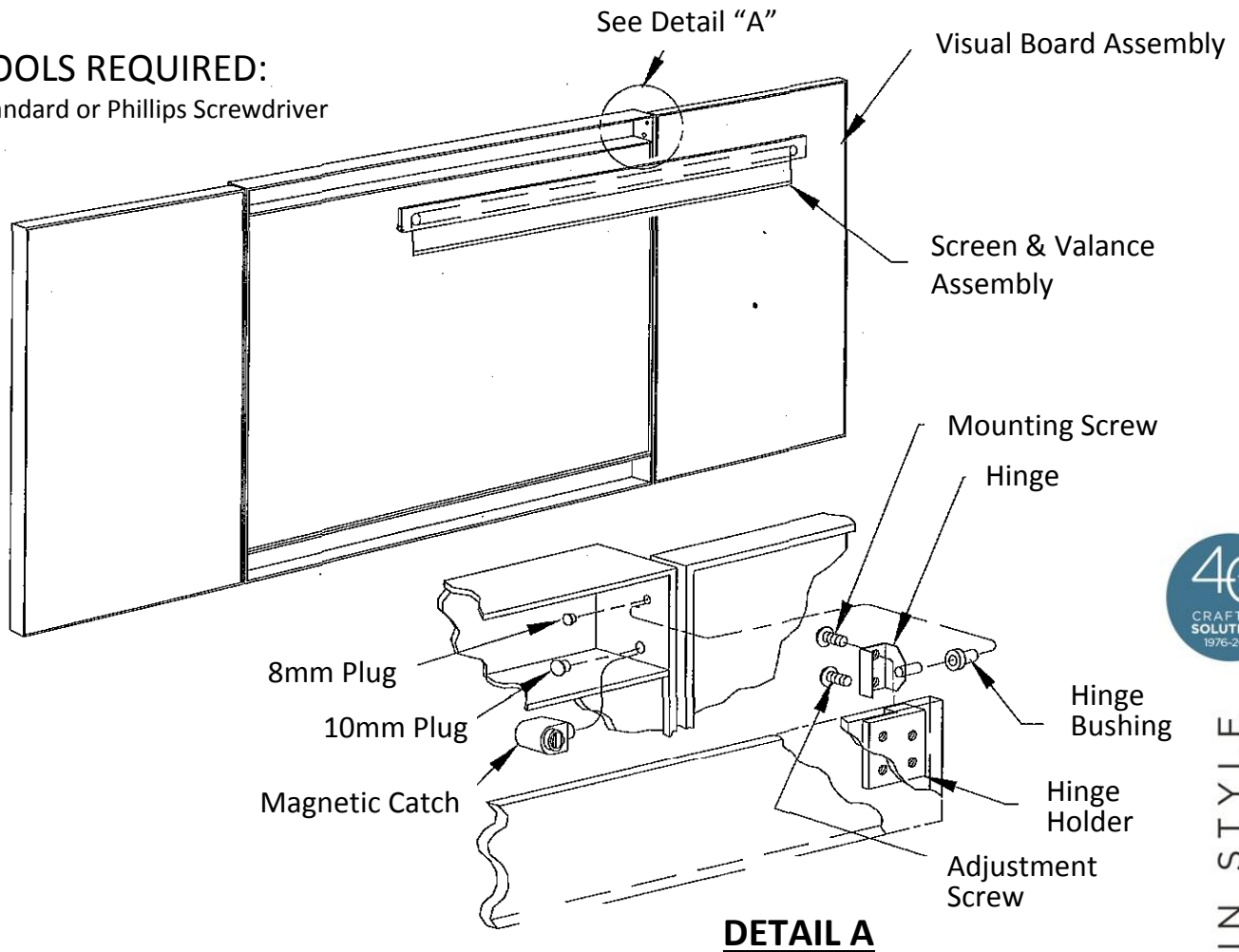


SCREEN & VALANCE INSTALLATION INSTRUCTIONS

TOOLS REQUIRED:

Standard or Phillips Screwdriver



WORK IN STYLE

INSTRUCTIONS:

1. Remove and discard 10mm plugs, replace with magnetic catches on both sides
2. Remove and discard 8mm plugs, replace with (black) hinge bushings on both ends on the valance assembly remove the right hinge from the holder
3. Insert valance assembly into left hinge bushing and bring into position
4. Re-attach right hinge to hinge holder
5. Visually inspect valance for proper alignment and clearance
6. Valance should have a 1/8" gap along all framing members
7. If lower edge of valance is not flush with cabinet magnetic catches may be turned in or out to achieve proper distance
8. if upper valance adjustments are needed loosen the mounting screws and thread the adjustment screws to achieve the necessary fit

FORM 03560, Rev: 09/28/2018

