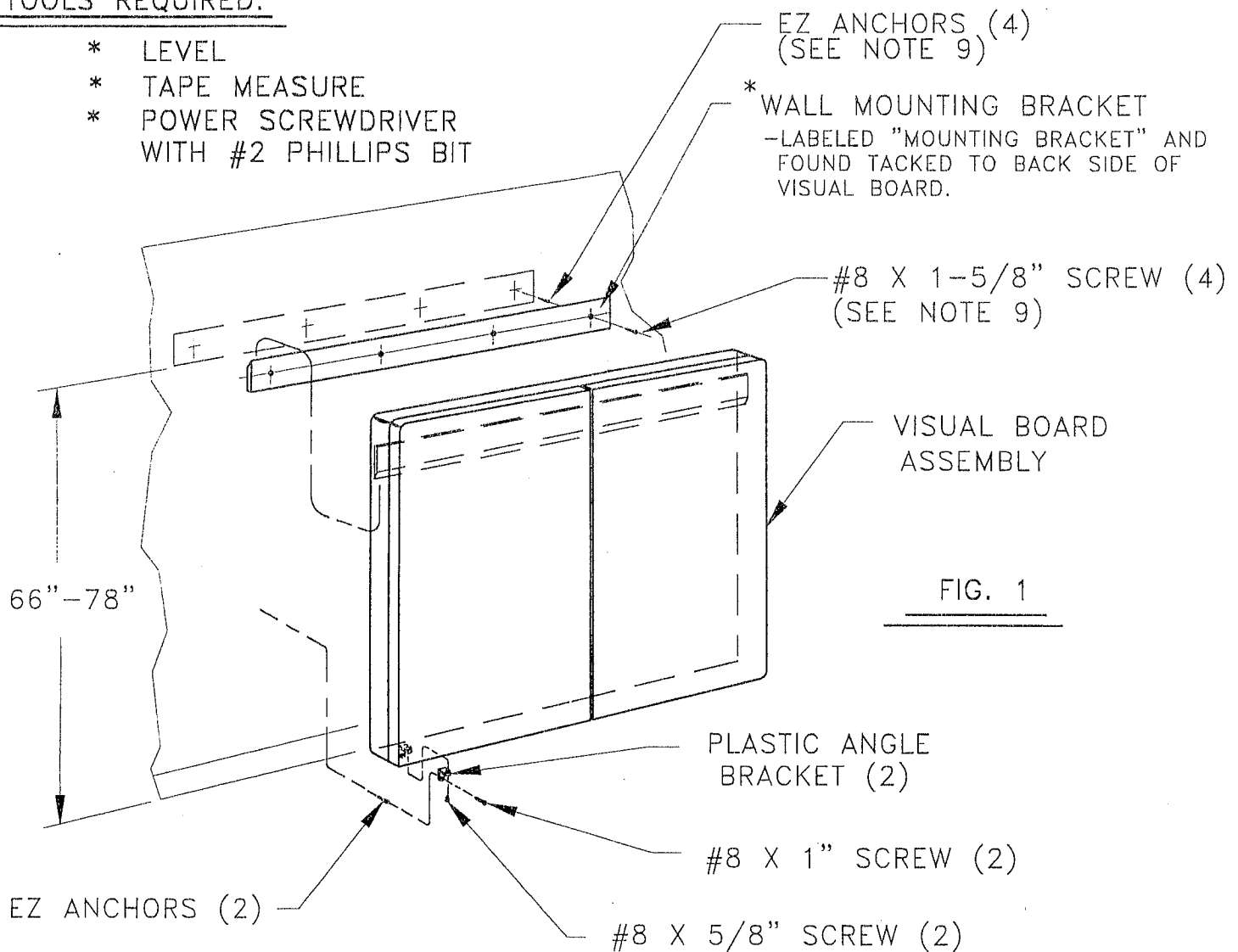


TOOLS REQUIRED:

- * LEVEL
- * TAPE MEASURE
- * POWER SCREWDRIVER WITH #2 PHILLIPS BIT



INSTRUCTIONS: (USING HARDWARE KIT NO. 00667)

1. ON THE WALL WHERE THE UNIT IS TO BE MOUNTED, DRAW A LEVEL LINE 66" TO 78" UP FROM THE FLOOR. THIS LINE SHOULD BE ABOUT THE SAME LENGTH AS THE MOUNTING PLATE (Z-BAR).
2. DRILL PILOT HOLES IN MOUNTING BRACKET FOR FASTENING BRACKET TO WALL. TRY TO ALIGN WITH AT LEAST TWO WALL STUDS IF POSSIBLE.

(CONT. ON PAGE 2)

* MANUFACTURERS RECOMMENDATION
TO INCREASE THE PRODUCTS STABILITY IT IS
RECOMMENDED THAT THE PRODUCT BE SECURED TO AN
EXISTING WALL STUD WITH THE LONGER SCREWS
PROVIDED

VISUAL BOARD
MOUNTING INSTRUCTIONS

**NEVERS
INDUSTRIES, INC.**

14125 21ST AVE. N.
MINNEAPOLIS, MN. 55447

3. ALIGN THE BOTTOM EDGE OF THE MOUNTING BRACKET (Z-BAR) WITH THE LINE ON THE WALL. USING PRE-DRILLED HOLES IN MOUNTING PLATE AS A TEMPLATE, MARK HOLE LOCATIONS ON WALL.
4. INSERT EZ ANCHORS IN THESE LOCATIONS WITH A POWER SCREWDRIVER.
5. ATTACH MOUNTING PLATE (Z-BAR) TO WALL WITH SUPPLIED SCREWS.
6. LIFT VISUAL BOARD ASSEMBLY ABOVE MOUNTING PLATE AND LOWER INTO POSITION (SEE FIG. 2)
7. FOR DOORS TO OPERATE AND CLOSE PROPERLY, VISUAL BOARD CABINET MUST HANG FREELY - WITHOUT BOW OR TWIST. SHIM BACK OF CABINET AS NEEDED UNTIL DOORS LINE UP AT CENTER.
8. MARK HOLE LOCATIONS OF PLASTIC ANGLE BRACKETS ON WALL.
9. REMOVE VISUAL BOARD FROM WALL MOMENTARILY
10. INSERT REMAINING EZ ANCHORS INTO MARKED LOCATIONS
11. RE-HANG VISUAL BOARD ON WALL. ATTACH PLASTIC ANGLE BRACKETS TO WALL ANCHORS USING #8 X 1" SCREWS.
12. ATTACH PLASTIC ANGLE BRACKETS TO THE BOTTOM OF THE VISUAL BOARD ASSEMBLY USING (2) #8 X 5/8" SCREWS (SEE FIG. 3)

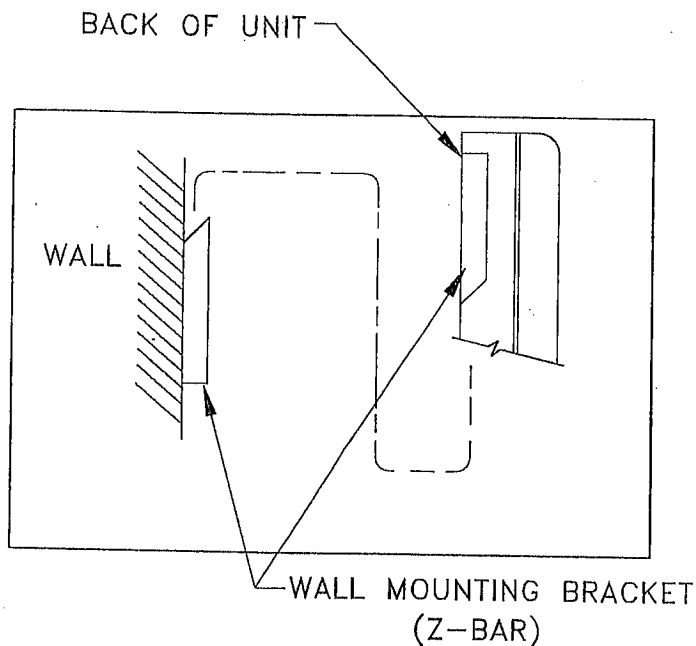


FIG. 2

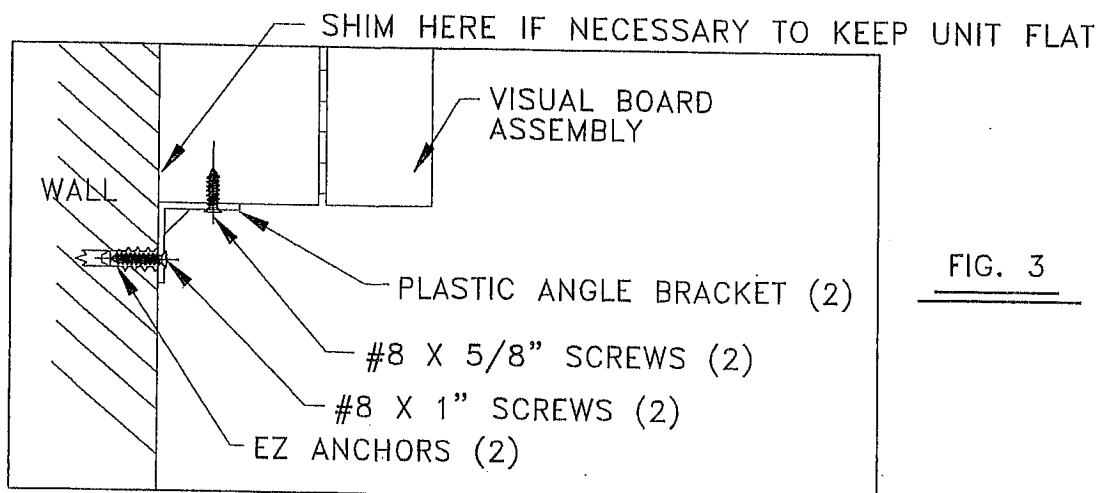


FIG. 3