

TOOLS REQUIRED: \* LEVEL \* TAPE MEASURE \* POWER SCREWDRIVER WITH #2 PHILLIPS BIT

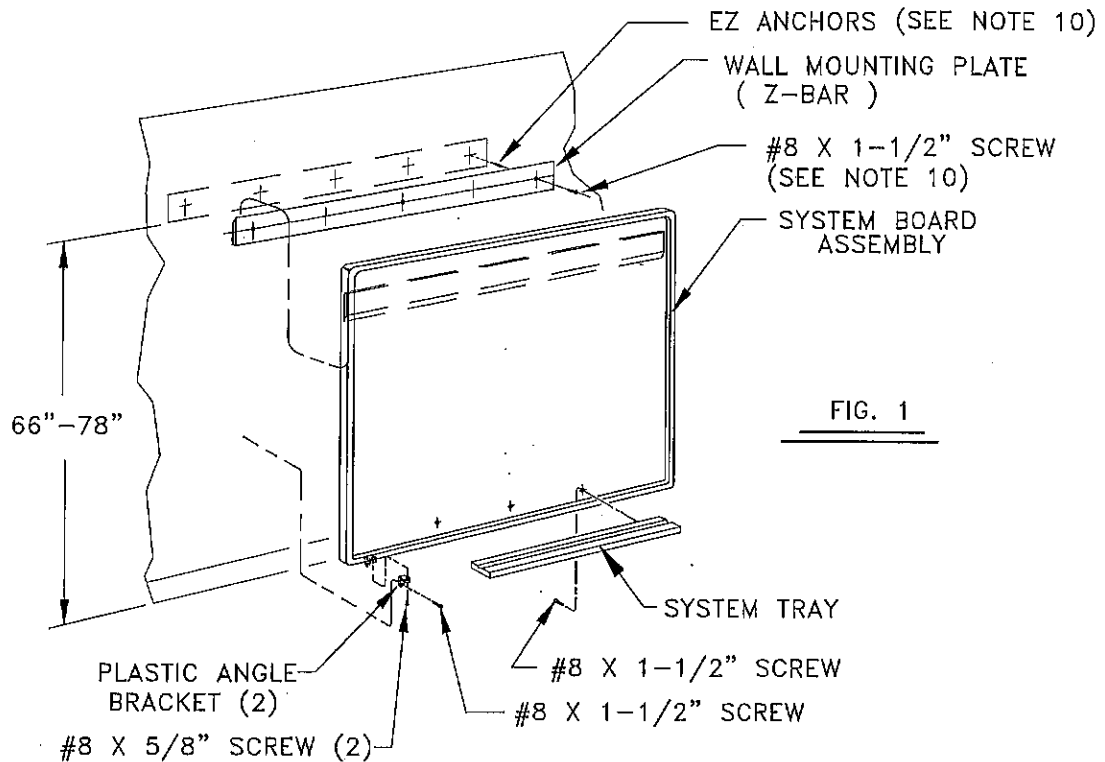


FIG. 1

INSTRUCTIONS:

1. ON THE WALL WHERE THE UNIT IS TO BE MOUNTED, DRAW A LEVEL LINE 66" TO 78" UP FROM THE FLOOR. THIS LINE SHOULD BE ABOUT THE SAME LENGTH AS THE MOUNTING PLATE. (Z-BAR)
2. ALIGN THE BOTTOM EDGE OF THE MOUNTING PLATE (Z-BAR) WITH THIS LINE (SEE FIGURE 1)
3. USING PRE-DRILLED HOLES IN MOUNTING PLATE AS A TEMPLATE, MARK HOLE LOCATIONS ON WALL.
4. INSERT EZ ANCHORS IN THESE LOCATIONS WITH A POWER SCREWDRIVER.
5. ATTACH MOUNTING PLATE (Z-BAR) TO WALL WITH SUPPLIED SCREWS.
6. ATTACH TRAY TO SYSTEM BOARD USING SUPPLIED SCREWS. (SEE INSTRUCTIONS ON BACK)
7. LIFT SYSTEM BOARD ASSEMBLY ABOVE MOUNTING PLATE AND LOWER INTO POSITION (SEE FIGURE 2)
8. ATTACH PLASTIC ANGLE BRACKETS TO THE BOTTOM OF THE SYSTEM BOARD ASSEMBLY USING (2) #8 X 5/8" LONG SCREWS SUPPLIED WITH UNIT.
9. ATTACH REMAINING SCREWS THROUGH ANGLE BRACKETS INTO WALL.
10. THE ACTUAL NUMBER OF SCREWS USED TO MOUNT THE TRAY AND SYSTEM BOARD VARY WITH THE SIZE OF THE ASSEMBLY.

\* MANUFACTURERS RECOMMENDATION

TO INCREASE THE PRODUCTS STABILITY IT IS RECOMMENDED THAT THE PRODUCT BE SECURED TO AN EXISTING WALL STUD WITH THE LONGER SCREWS PROVIDED

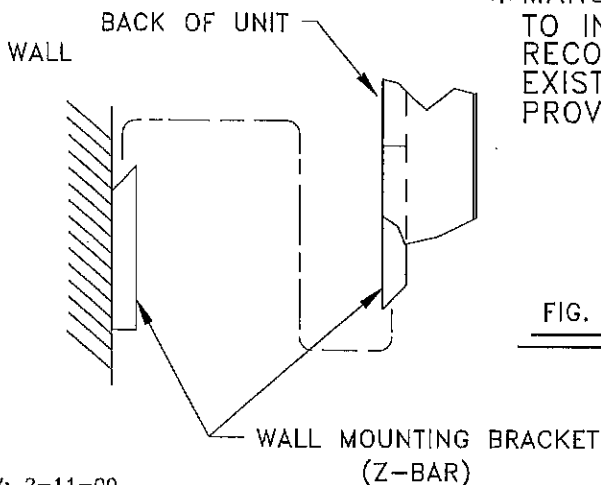


FIG. 2

SYSTEM BOARD  
MOUNTING INSTRUCTIONS

**NEVERS  
INDUSTRIES, INC.**

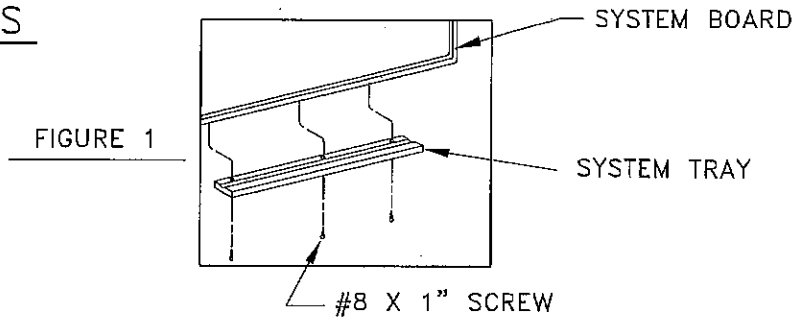
14125 21ST AVE. N.  
MINNEAPOLIS, MN. 55447

TO ACHIEVE MAXIMUM EFFECTIVENESS FROM YOUR SYSTEM BOARD IT IS IMPORTANT THAT YOU MOUNT THIS UNIT CORRECTLY. INCLUDED WITH EACH SYSTEM BOARD IS THE FOLLOWING MOUNTING HARDWARE: TWO (2) MOUNTING BRACKETS. ONE (1) SYSTEM TRAY AND THE REQUIRED WOOD SCREWS.

TOOLS REQUIRED: \* 3/32" DRILL BIT \* TAPE MEASURE \* POWER SCREWDRIVER WITH #2 PHILLIPS BIT  
\* FLAT BLADE SCREWDRIVER \* NEEDLE NOSE PLIERS

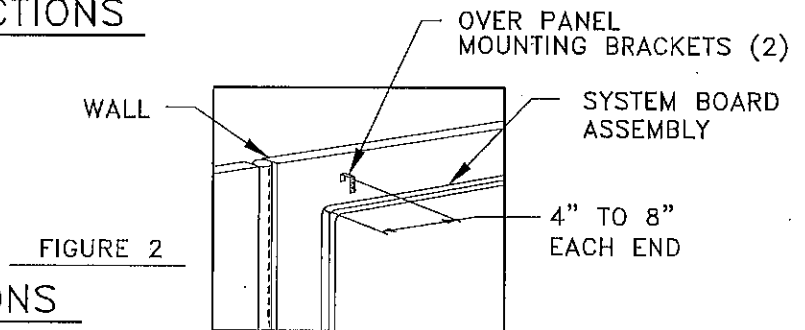
### TRAY MOUNTING INSTRUCTIONS

1. CENTER TRAY ON BOTTOM OF SYSTEM BOARD, MARK HOLE LOCATIONS WITH A SCREW OR OTHER SHARP OBJECT.
2. DRILL PILOT HOLES IN BOTTOM RAIL AT YOUR MARKS USING A 3/32" DRILL BIT.
3. ATTACH TRAY TO SYSTEM BOARD USING SUPPLIED SCREWS. (#8 x 1") (SEE FIGURE 1)



### BRACKET MOUNTING INSTRUCTIONS

1. POSITION SYSTEM BOARD FACE DOWN.
2. LOCATE HANGER BRACKETS 4" TO 8" FROM THE TOP LEFT AND RIGHT ENDS. (SEE FIGURE 2)
3. FASTEN BRACKETS IN PLACE USING SCREWS PROVIDED.



### SYSTEM MOUNTING INSTRUCTIONS

1. PRE-DRILL HOLES FOR #6 SCREWS, 3" DOWN FROM THE TOP AND 4" UP FROM BOTTOM ON CENTER OF 3/4" FRAME SIDE. (SEE FIGURE 3)
2. USING THE SCREWS PROVIDED, FASTEN THE MOUNTING HOOKS INTO THE PRE-DRILLED HOLES IN THE TOP OF YOUR SYSTEM BOARD. THE SPRINGS ARE TO BE ATTACHED TO THE LOWER HOLES. (SEE FIGURE 4)
3. ATTACH TRAY TO SYSTEM BOARD (SEE INSTRUCTIONS ABOVE)
4. INSTALL THE TOP HOOKS INTO SLOTS IN PANELS USE FLAT BLADE SCREWDRIVER TO ADJUST THE ANGLE OF THE HOOK IF NEEDED.
5. PULL SPRINGS DOWN SLIGHTLY AND SECURE IN SLOTS IN PANEL.

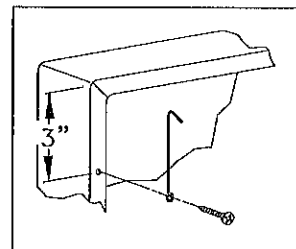


FIGURE 3

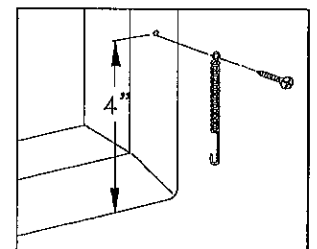


FIGURE 4

