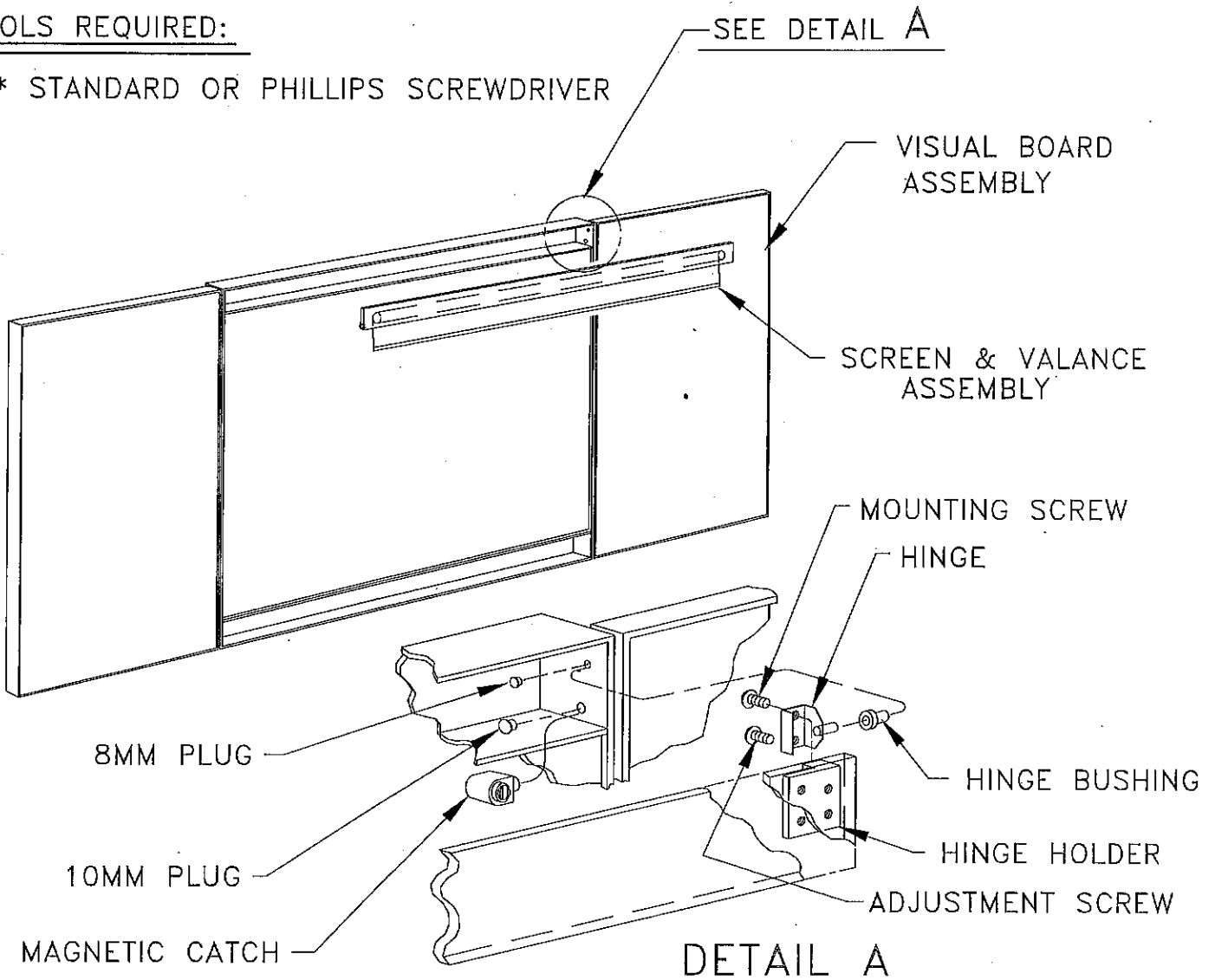


TOOLS REQUIRED:

\* STANDARD OR PHILLIPS SCREWDRIVER



INSTRUCTIONS:

1. REMOVE AND DISCARD 10MM PLUGS, REPLACE WITH MAGNETIC CATCHES ON BOTH SIDES
2. REMOVE AND DISCARD 8MM PLUGS, REPLACE WITH (BLACK) HINGE BUSHINGS ON BOTH ENDS
3. ON THE VALANCE ASSEMBLY REMOVE THE RIGHT HINGE FROM THE HOLDER
4. INSERT VALANCE ASSEMBLY INTO LEFT HINGE BUSHING AND BRING INTO POSITION
5. RE-ATTACH RIGHT HINGE TO HINGE HOLDER
6. VISUALLY INSPECT VALANCE FOR PROPER ALIGNMENT AND CLEARANCE
7. VALANCE SHOULD HAVE A 1/8" GAP ALONG ALL FRAMING MEMBERS
8. IF LOWER EDGE OF VALANCE IS NOT FLUSH WITH CABINET  
MAGNETIC CATCHES MAY BE TURNED IN OR OUT TO ACHIEVE PROPER DISTANCE
9. IF UPPER VALANCE ADJUSTMENTS ARE NEEDED  
LOOSEN THE MOUNTING SCREWS AND THREAD THE ADJUSTMENT SCREWS TO ACHIEVE THE NECESSARY FIT

**SCREEN & VALANCE  
INSTALLATION INSTRUCTIONS**

**NEVERS  
INDUSTRIES, INC.**

14125 21ST AVE. N.  
MINNEAPOLIS, MN. 55447