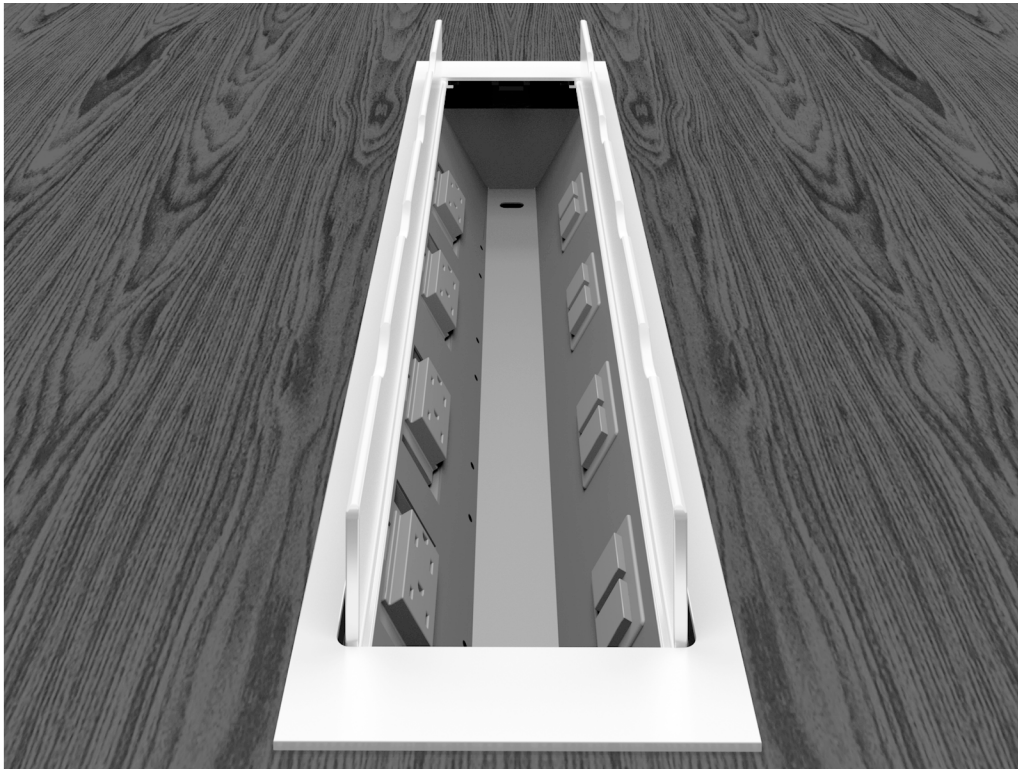
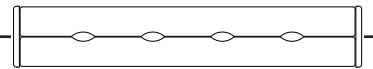


NEVERS | The Complete Meeting Room

Nevers Meeting Link
Technology Center



Americana

Technology Centers

Technology Centers conform to UL 183, the standard for manufactured electrical systems. Nevers proprietary Technology Centers use modular power connections, are daisy chainable and are ideal for all installations where multiple electrical outlets connect to a single power in-feed. They are available in single or multiple circuits. Technology Centers can be hardwired or connected with a molded plug. Data and AV are easily integrated in Technology Centers.

INSTALLATION: Technology Centers are installed in the table base system before the top is placed. This allows all electrical, voice/data and audio visual connections to be completed before the table top is installed. The installers are able to complete their work with free and clear access to the PVD channel and all components without having to work under the table. The table top is placed on the base system after technology integration is complete, this helps prevent table top damage attributable to third party contractors.

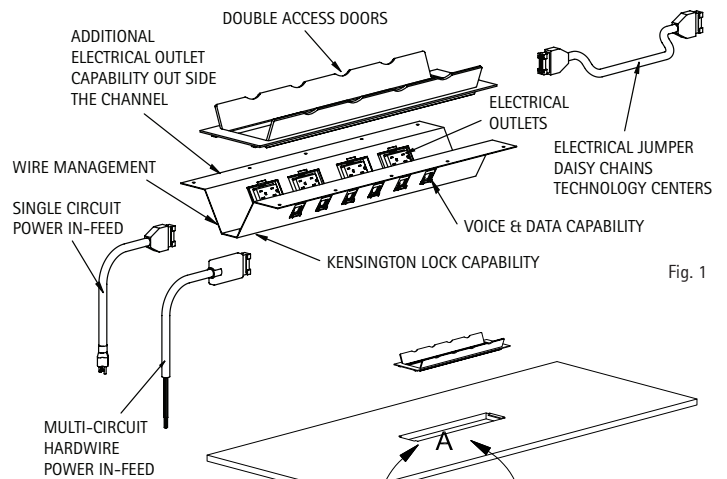


Fig. 1

Pre-Configured Meeting Link™

Nevers offers pre-configured Meeting Link solutions for all tables. This is an easy, trouble free method to specify power, voice and data connections. Whether you have light, medium or heavy applications, there is a convenient pre-configured solution.

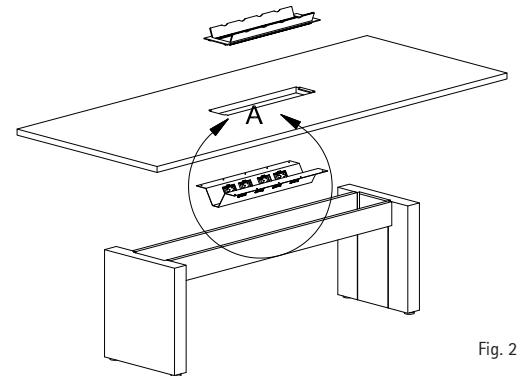


Fig. 2

Custom Meeting Link™

Meeting Link can be custom configured to meet any specific requirement. All Meeting Link products are available "a'la cart" so you can develop a system that meets your clients exact needs.

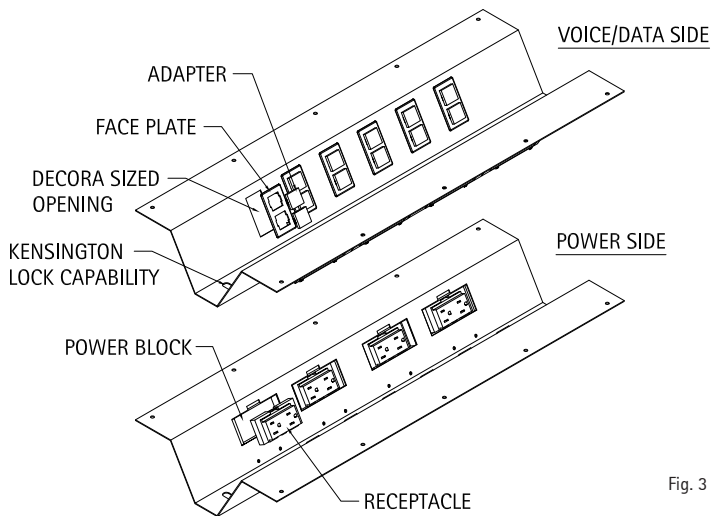


Fig. 3

Meeting Link™ Options

In choosing the Technology Center that's right for you, simply determine your power/voice/data/AV needs and select the appropriate Technology Center and quantity needed (see fig. 4 for sizing and the power/voice/data capabilities of each Technology Center). Please contact customer service for assistance with choosing the Technology Center that best fits your needs.

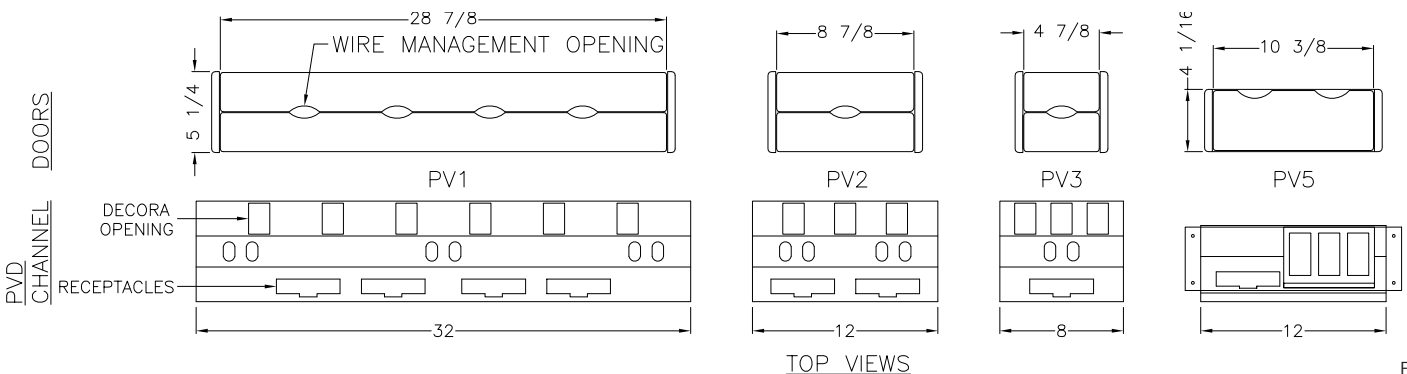


Fig. 4

Technical Specifications

The Multi Circuit Hardwire electrical system is an 8 wire, 4 circuit modular system (4 line conductors, 2 neutrals and 2 grounds). It is listed as a manufacturers wiring system under UL standard 183. The system can be wired in both single and three-phase configurations, 208/120V, 240/120V respectively. Three of the line conductors are 12 AWG, and share a 12 AWG ground and a 10 AWG neutral. The fourth circuit is isolated and dedicated, and is serviced by its own 12 AWG line conductor, neutral and isolated ground. Nevers ships 12 receptacles per circuit allowing up to 48 receptacles per hardwired in-feed.

Power In-Feed

Power in-feed brings electricity from the building's power source through the table base and plugs into any PVD channel Power Block. Nevers offers three types of power in-feed.

Single Circuit Plug In - Activates only Circuit I and has a 52" cord that plugs into a standard 120V/20A outlet. The maximum quantity of receptacles that Nevers ships per circuit is 12. If you require more receptacles a second power in-feed must be used or you can use the Multiple Circuit Hardwire in-feed.

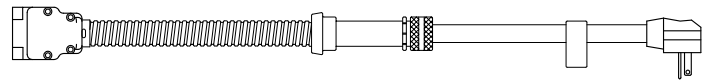


Fig. 5

Multiple Circuit Hardwire - Activates all four circuits and has a 6' Liquid Tight conduit. This must be installed by a certified electrician.

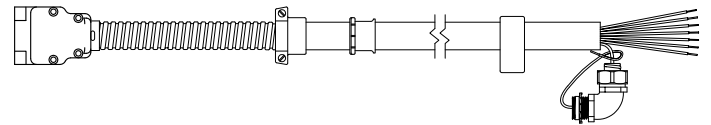


Fig. 6

City of Chicago - For the city of Chicago, Nevers offers a metal junction box and mounting bracket to replace the Power Block and allow the Technology Centers to be hardwired in the channel. All other electrical wiring and receptacles must be furnished separately by your electrician.

Jumpers

Jumpers allow for multiple Technology Centers to be connected (daisy chained) together using a single power in-feed. The maximum receptacles remains at 12 per circuit. Please call customer service with any questions regarding Technology Center and receptacle quantities.



Fig. 7

Power Block

The power block comes pre-installed in the PVD channel from the factory. The power block acts as a connecting bridge between power in-feeds, jumpers and receptacles. There are 4 connections per power block. All four connection points on the power block are electrically linked together. This allows for the infeed connection (either plug-in or hardwire) and the daisy chaining of multiple power blocks (with the use of jumpers).

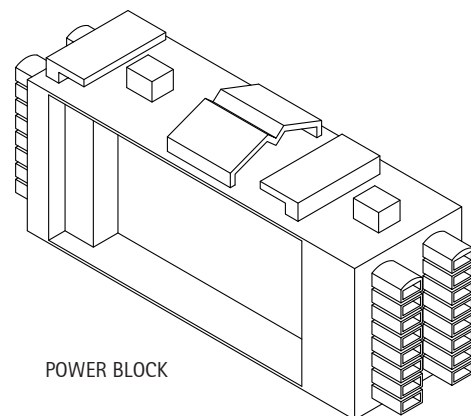


Fig. 8

Duplex Receptacles

Receptacles simply snap in with a positive locking tab feature that assures positive contact to the power blocks. All connections are positive locking, assured by keyed terminal housings. Furthermore, harnesses and receptacles are installed without tools. Receptacles are labeled I, II, III and IV to denote which circuit the receptacle is keyed for. Unless otherwise specified, Nevers ships circuit I receptacles standard. If needed, when ordering, simply list on the order the quantity of receptacles required for each circuit.

The duplex receptacle can be installed on both sides of the Power Block, this allows for equipment to be plugged in and mounted under the table. If your application requires duplexes on both sides of the Power Block, additional duplexes must be ordered.

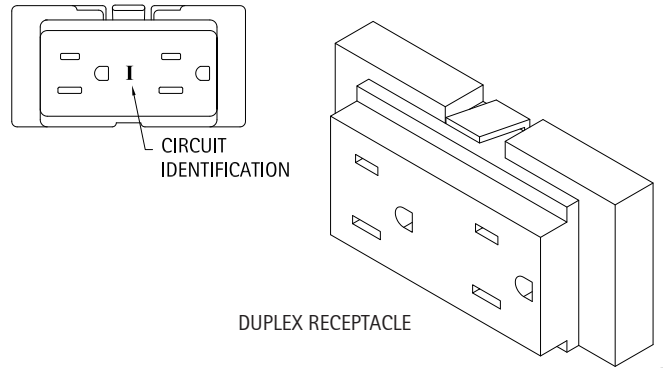


Fig. 9

Voice, Data and AV

On the Voice/Data side of the PVD Channel, Nevers provides Decora-type face plates. Each face plate contains 2 openings for acceptance of voice/data/AV jack adaptors. *For each Decora opening we send an adapter kit that contains adapters to common applications (see page 4).* All that is required on installation is for the installer to select the proper size adapter and snap it into the face plate opening. It is now ready to accept the voice/data/AV jacks of the selected supplier.

If an opening is not used, the kit also contains snap-in blank covers for a clean, finished look.

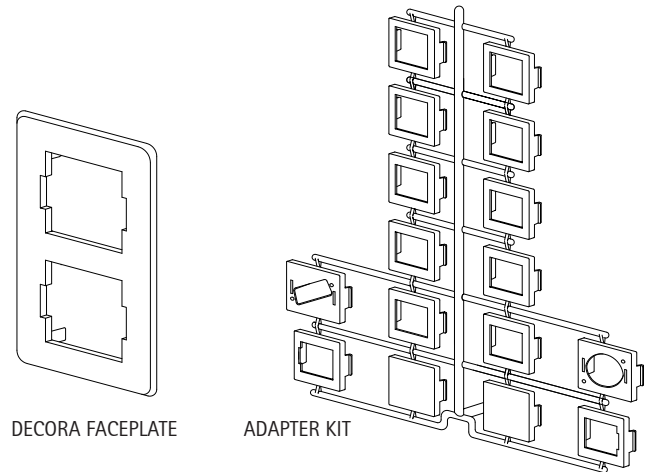


Fig. 10

Nevers VGA/Mini Stereo Offering

For high density sub D connections (VGA) Nevers offers a custom Decora face plate. The face plate installs by simply snapping in the VGA/Mini Stereo face plate into the Decora sized hole in the Power Channel. Your installer will have to provide the proper VGA and Mini Stereo connectors.

This offering allows the hook-up of a laptop's audio and video to the conference rooms AV system for multimedia presentations.

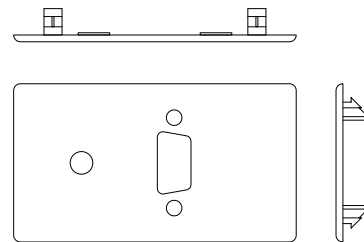


Fig. 11

Wiring Diagram

*Hardwire power in-feed only.

*All electrical wiring should be conducted by a certified electrician familiar with your local building codes.

*All electrical components are UL listed and meet the National Electrical Code.

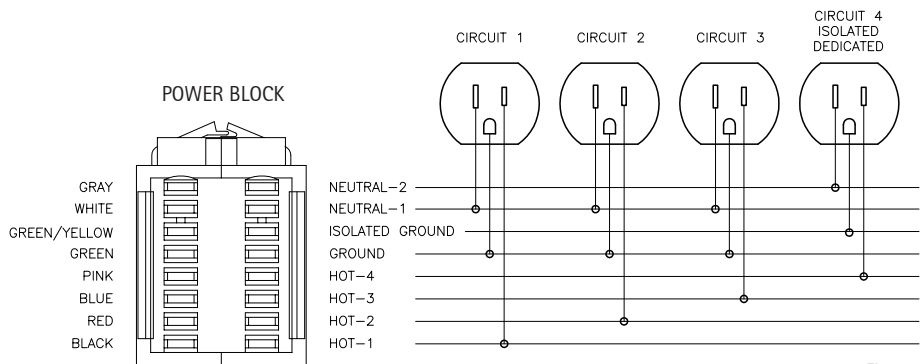


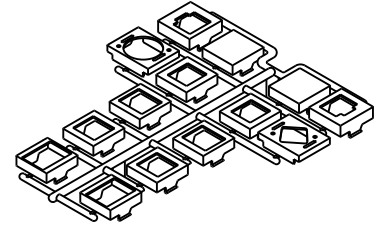
Fig. 12



INSTALLATION INSTRUCTIONS FOR THE BYRNE DATA ADAPTER KIT & BASE PLATE

1. Select the appropriate BE01421 adapter from the chart below (example: Uniprise jack would use "AA" adapter).

*Jacks, not included, UL Listed (DUXR) or Recognized (DUXR2) jacks required.



Adapter	Manufacturer	Website
AA	Uniprise	www.UnipriseSolutions.com
BB	Tyco SL, and 110 Connect Series Modular Jacks	www.Ampconnect.com
BB	Siemon Keystone Style	www.Siemon.com
BB	Allen Tel Versa Tap Series	www.Allentel.com
BB	Leviton Quick Port® Series	www.Leviton.com
BB	Nordx Keystone Style	www.Nordx.com
CC	Tyco SL Coupler Series	www.Ampconnect.com
CC	Krone 6000 Series	www.Adc.com
CC	Hubbell Xcelerator™ Keystone Series	www.Hubbell.com
DD	Blank (no coupler/jack)	
EE	Ortronics TracJack Series	www.Ortronics.com
FF	Panduit Mini-Com Series	www.Panduit.com
GG	Microphone jack/3-pin XLR, solder type only	
HH	Video Monitor jack/DB-15, panel mount solder style	

2. Snap jack into adapter following the instructions provided with the jack.

3. Once assembled, snap adapter into the notched, square holes in the orientation shown.

4. If provided, snap adapter into any 1-3/8" X 2-3/4" opening.

Note: Please verify fit of jack in adapter before ordering large quantities as manufacturer designs may change without notice.

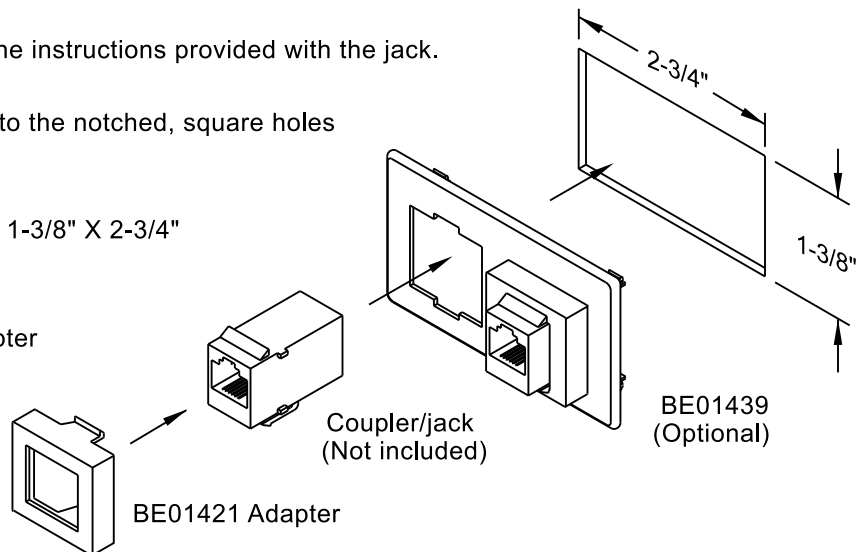


Table Bases

Each base will come with an access door to allow for all necessary wiring. Power in-feeds and all AV wiring can be routed through the base for a concealed installation. See the following two charts to determine core drill locations and wire management opening sizes.

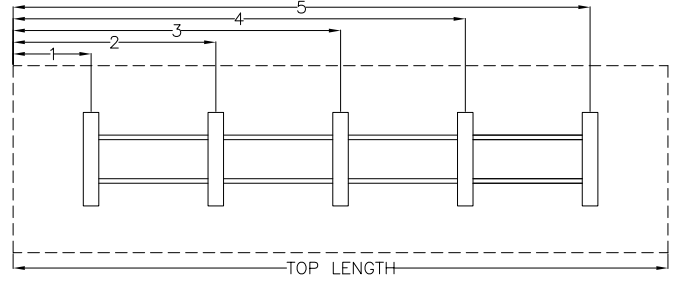


Table Base Dimensions

Rectangle	Rectangle Bases			
	Table Width	Outside Dimensions	Inside Dimensions	Wire Management Opening Size
	48"	10 x 24	6 1/2 x 22 1/2	6 ø
	54"	10 x 30	6 1/2 x 22 1/2	6 ø
	60"	10 x 30	6 1/2 x 22 1/2	6 ø

Panel	Panel Bases			
	Table Width	Outside Dimensions	Inside Dimensions	Wire Management Opening Size
	48"	4 x 24	2 1/2 x 22 1/2	2 ø
	54"	4 x 30	2 1/2 x 22 1/2	2 ø
	60"	4 x 30	2 1/2 x 22 1/2	2 ø

Drum	Drum Bases			
	Table Width	Outside Dimensions	Inside Dimensions	Wire Management Opening Size
	48"	18 ø	23 ø	6 ø
	54"	24 ø	23 ø	6 ø
	60"	24 ø	23 ø	6 ø

Half Drum	Half Drum Bases			
	Table Width	Outside Dimensions	Inside Dimensions	Wire Management Opening Size
	48"	13 x 24	11 1/2 x 24	6 ø
	54"	13 x 24	11 1/2 x 24	6 ø
	60"	13 x 24	11 1/2 x 24	6 ø

Base Center Line Locations

Panel, Rectangle, Panel/Rectangle and Half-Drum/Rectangle Bases					
Top Length	Base 1	Base 2	Base 3	Base 4	Base 5
96"	20	76			
120"	20	100			
144"	20	72	124		
168"	20	84	148		
192"	20	96	172		
216"	20	108	196		
240"	20	86 3/4	153 1/2	220 1/4	
264"	20	94 3/4	169 1/2	244 1/4	
288"	20	102 3/4	185 1/2	268 1/4	
312"	20	88	156	224	292
336"	20	94	186	242	316
360"	20	100	180	260	340

Drum Bases					
Top Length	Base 1	Base 2	Base 3	Base 4	Base 5
96"	28	68			
120"	28	92			
144"	28	72	116		
168"	28	84	140		
192"	28	96	164		
216"	28	108	188		
240"	28	89 3/8	150 3/8	212	
264"	28	97 3/8	166 5/8	236	
288"	28	105 3/8	182 5/8	260	
312"	28	92	156	220	284
336"	28	98	168	238	308
360"	28	104	180	256	332

Custom PVD Channels and Installations

Due to the growing number of installations for sophisticated video presentation rooms and video conferencing rooms, Nevers has become very adept at working with AV consultants and with Pro-AV Dealers in developing custom solutions for power/voice/data and for audio visual connections. You can be assured that when specifying and ordering Nevers' products, we will work closely with all project team members to make sure our mutual customers receive the best in customer service and that all of their requirements will be met. If you do not have a Pro-AV Dealer with whom you are currently working, Nevers can supply you with the names of our Pro-AV Dealer partners.

Voice, Data and AV Jacks and Connectors

Nevers does not supply any voice, data or AV connectors or components. Please consult your installer or Pro-AV Dealer (also page 4) for your specific needs.

Check your local electrical codes

Electrical codes can vary from city to city. Check with your electrical contractor for proper code compliance.

NEVERS | The Complete Meeting Room

14125 21st Avenue North, Minneapolis, Minnesota 55447

P: 763.553.1632 | 800.242.2443 | F: 763.553.1770 | 800.258.5591

www.nevers.com

©2007 Nevers Industries, Inc.
Nevers is a registered trademark
of Nevers Industries, Inc.